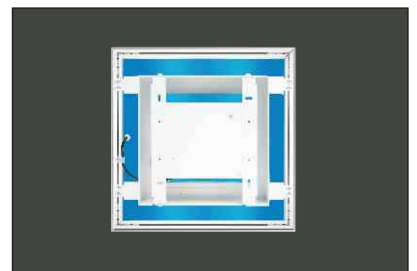
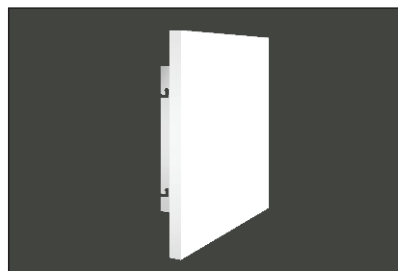
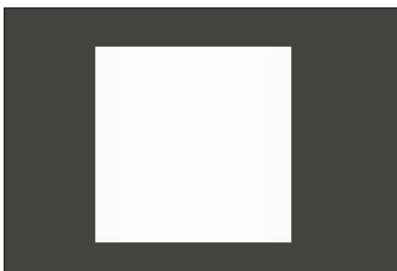


SPECIFICATIONS

Floating Mounted Panel Light



Find additional images and information at
www.billighting.com

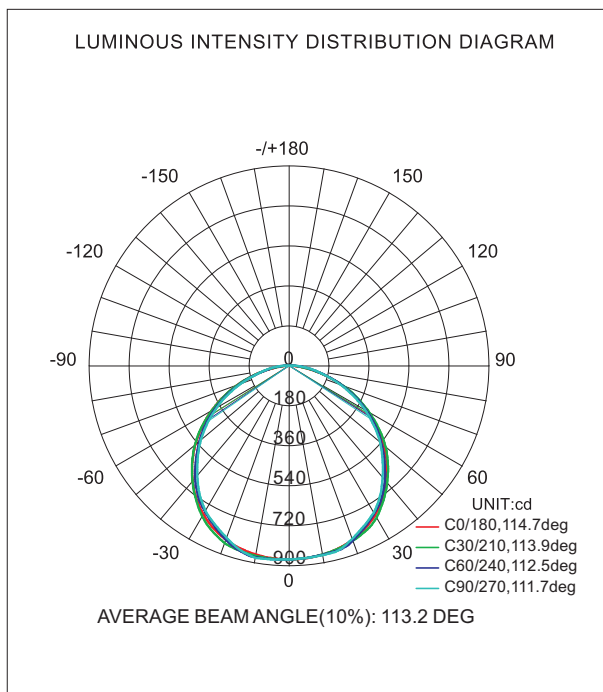
Description

- 3-5 years warranty
- High brightness up to 135Lm/W
- CE, RoHS, TUV, SAA, FCC certified

Features

1. Frameless design, wider lighting area.
2. Unique floating mounted install.
3. Seamless stitching with picture printed.
4. Internal driver for better outlooking.
5. No flickering.
6. LM-80 approved LED chip.

Light Distribution Curve



LED Panel light data sheet

Item	Data
Lumens	80LM/W
Ra	>80
SDCM	<3
PF	>0.9
Starting time	<0.5S
THD	<15%
LED working voltage	24-30V
LED working current	0.35A
Driver efficiency	0.86
Withstand voltage	3750V
IP Grade	IP40
IK Grade	IK06
Fire proof grade	HB

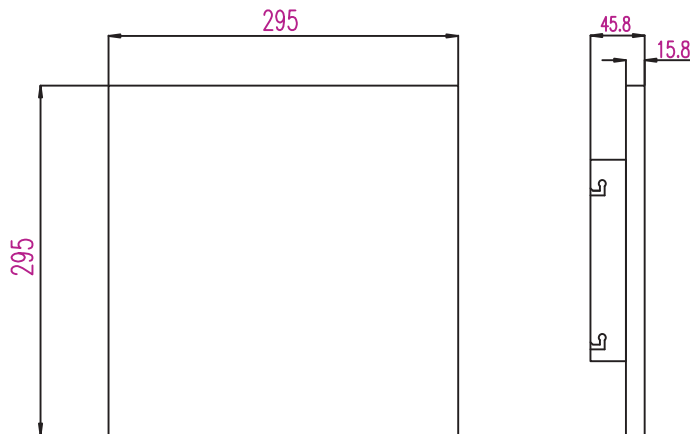
SPECIFICATION

Model Number	Color	CCT	LED Type	Power	Power tolerance	Luminous Flux	Beam Angle
LVT-PL3030	Cool white	5800-6500	SMD 2835	24W	5%	1951LM	120°
	Pure white	4800-5300	SMD 2835	24W	5%	1856LM	120°
	Nature white	3800-4300	SMD 2835	24W	5%	1856LM	120°
	Warm white	2800-3200	SMD 2835	24W	5%	1805LM	120°

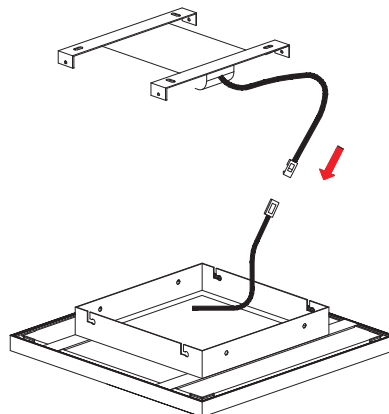
Absolute Maximum Rating

Storage Conditions	0° < TEMP < 50°	RH < 80%
Working Conditions	0° < TEMP < 40°	RH < 80%
Frame surface temperature	Tc < 60°	
Junction temperature	Tj < 70°	

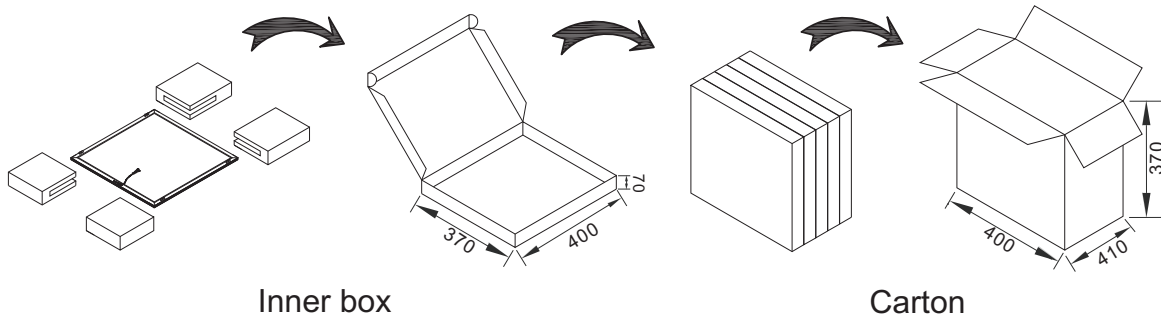
Dimensions (Unit: mm/inch)



Electrical Connection

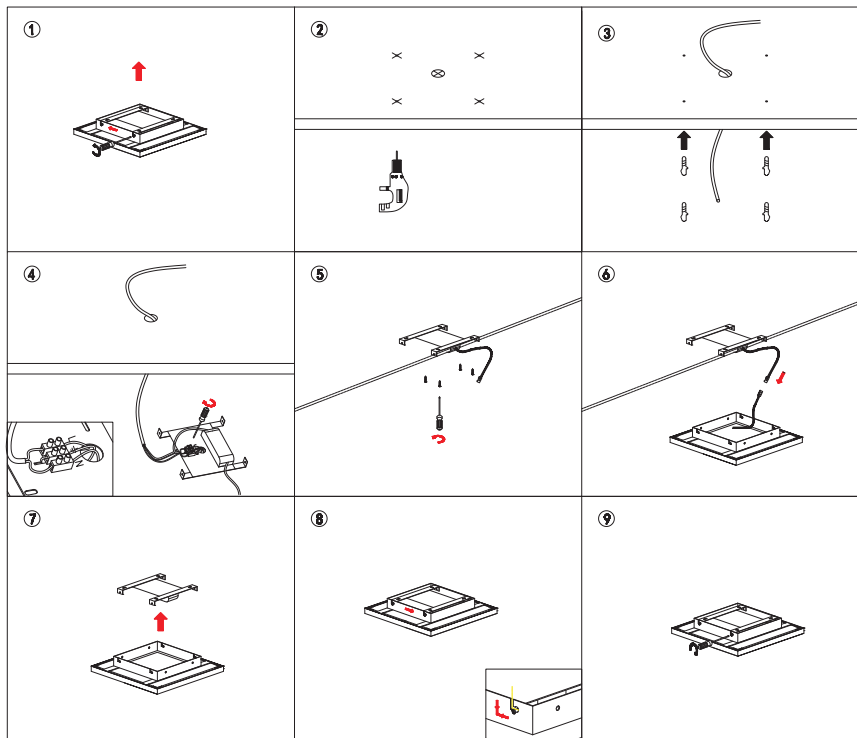


Packing Specification(mm)



	Inner box Size(mm)	Inner box N.W/pcs (Kg)	Inner box G.W/pcs (Kg)	Carton Size(mm)	Carton Q.ty(pcs)	Carton G.W(Kg)
Carton	370x400x70	2.2	2.9	400x410x370	5	14.5

Installation Instructions



!Notice

- 1.Please read the specification first, to make sure the environment matches the condition in the specification before using.
- 2.Please confirm the applicable power supply before using.
- 3.Make sure the switch of product is off before connect to the power supply to prevent electric shock.
- 4.Operation against rules may damage your property even harm your personal safety.
- 5.Preliminarily estimate required quantity of LED Panel Light , then according to the power rating of single light to figure out the total power and design power supply plan.
- 6.Dangerous high voltage, Non-professionals are not allowed to maintain the products.
- 7.If the exterior flexible cable or wire is damaged, it must exchange by the supplier, its agent or other similar qualified personnels to avoid dangers.